

MEC-LAN-M002

Mini PCI-e 2-port 10/100/1000 Ethernet board

User's Manual

Third Edition, February 2014



© 2014 Cervoz Co., Ltd. All rights reserved.

Reproduction without permission is prohibited

Mini PCI-e Ethernet Card

User's Manual

The software described in this manual is furnished under a license agreement and may be used only in accordance with the terms of that agreement.

Copyright Notice

© 2014 Cervoz Co., Ltd. All rights reserved. Reproduction without permission is prohibited.

Trademarks

Cervoz is a registered trademark of Cervoz Co., Ltd. All other trademarks or registered marks in this manual belong to their respective manufacturers.

Disclaimer

Information in this document is subject to change without notice and does not represent a commitment on the part of Cervoz.

Cervoz provides this document "as is," without warranty of any kind, either expressed or implied, including, but not limited to, its particular purpose. Cervoz reserves the right to make improvements and/or changes to this manual, or to the products and/or the programs described in this manual, at any time.

Information provided in this manual is intended to be accurate and reliable. However, Cervoz assumes no responsibility for its use, or for any infringements on the rights of third parties that may result from its use.

This product might include unintentional technical or typographical errors. Changes are periodically made to the information herein to correct such errors, and these changes are incorporated into new editions of the publication.

Technical Support Contact Information

<http://www.cervoz.com/support/technical.php>

Cervoz Co., Ltd.

Tel: +886-2-2911-9599

Fax: +886-2-2911-9566

Table of Contents

Chapter 1	Introduction	4
	Overviews	4
	Features	4
	Installation Flowchart	5
	Package Checklist	5
Chapter 2	Hardware Installation	6
Chapter 3	Software Installation	12
Appendix	Pin Assignments	20
	Board Side Pin Assignments	21
	Device Side Pin Assignments	22
	Technical Reference	23
	MEC-LAN-M002 Specifications	23
	MEC- LAN-M002 Dimensions	24
	MEC- LAN-M002 Daughter Board Dimensions	24
	Product Warranty Statement	25

1

Introduction

Overview

MEC-LAN-M002 is an Ethernet card for embedded PC. The card follows the Mini PCI-e standard which is compliant with PCI Express x 1 classification and small form factor (30x50.95 mm). This board fits in any host computer that has mini express card slots. MEC- LAN-M002 is a highly cost-effective solution to expand Gigabyte network for your computer.

Features

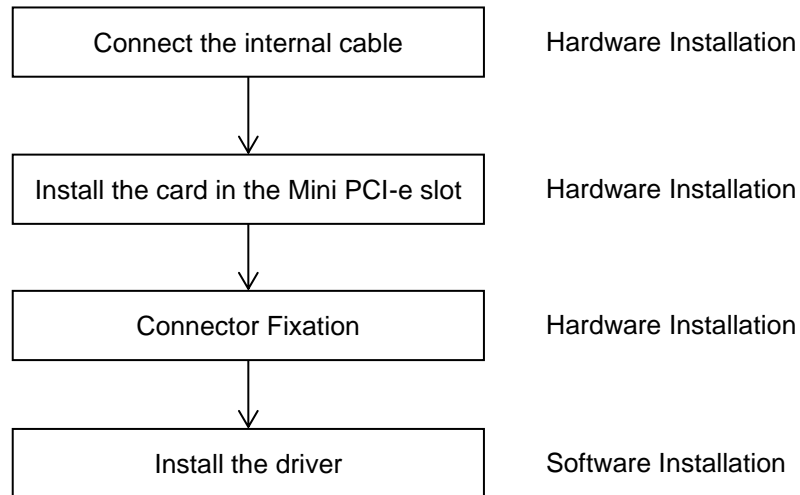
The PCI Express boards have the following outstanding features:

- Single-Lane (x1) PCI-Express with throughput up to 2.5Gbps
- Fully compliant with PCI-Express Base Specification Rev 1.1
- Integrated 10/100/1000Mbps transceiver
- IEEE 802.3, IEEE 802.3u, IEEE 802.3ab, and IEEE 802.3z compliant
- IEEE 802.3x Full-Duplex flow control

Installation Flowchart

Installation Flowchart of MEC-LAN-M002

The following flowchart provides a brief summary of the procedure you should follow to install the Mini PCI-e card:



Package Checklist

The following items are included in the Mini PCI Express board Package:

- Mini PCI-e Card x 1
- Daughter Board x 1
- Bracket x 1
- M2.5 Screw x 2
- 20Pin Internal Connection Cable (30cm) x 2
- Quick Installation Guide (Printed) x 1
- Driver CD x 1

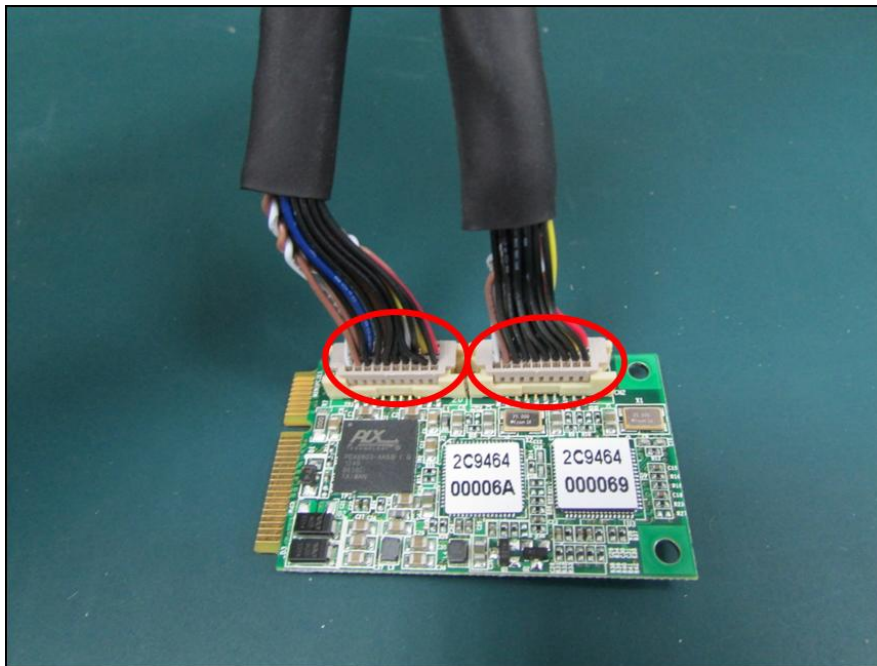
Note: Notify your sales representative if any of the above items are missing or damaged.

2

Hardware Installation

This chapter describes the PCI Express Series hardware installation procedure. Since the BIOS automatically assigns the PCI Express board's IRQ number and I/O addresses, you must plug in the board before installing the driver.

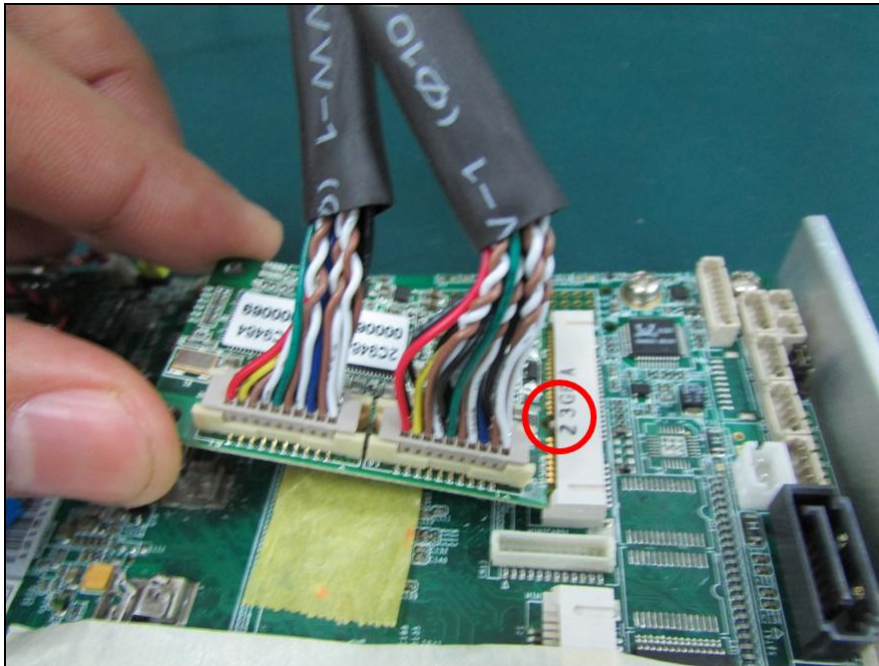
Step 1 Connect the internal cable to the card

**Note**

Both sides of the cable connectors are the same, it doesn't matter which side you connect

Step 2

Install the card to the Mini PCI-e slot



Make sure you install the card in the right position (fool-proof design)

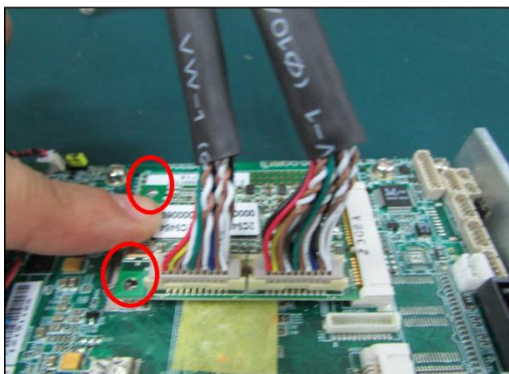
Step 3

Fix the card on the motherboard (clip type or screw type)

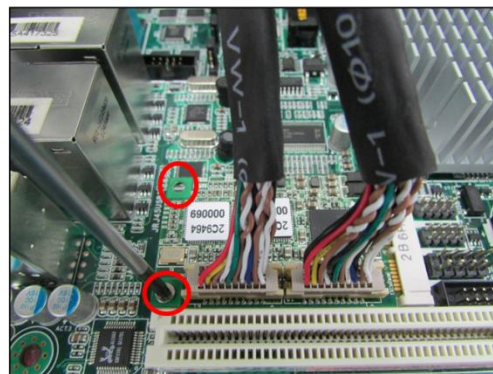
There are 2 options to fix the card. It depends on the design of the motherboard (clip or screw).

1. Clip type: make sure you press down the card and let the clips fix the card
2. Screw type: make sure you tighten up the screws to fix the card

Clip type



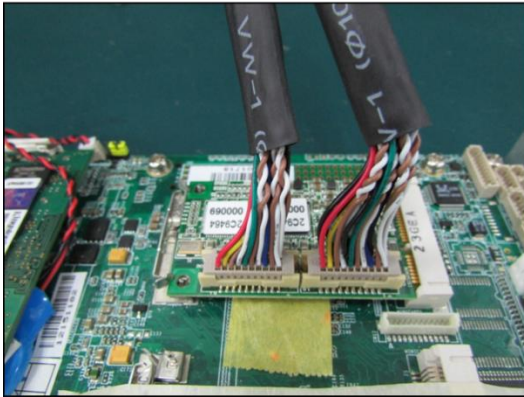
Screw type



Step 4 Card installation completed

Connect other side of the cable to the daughter board

Clip type

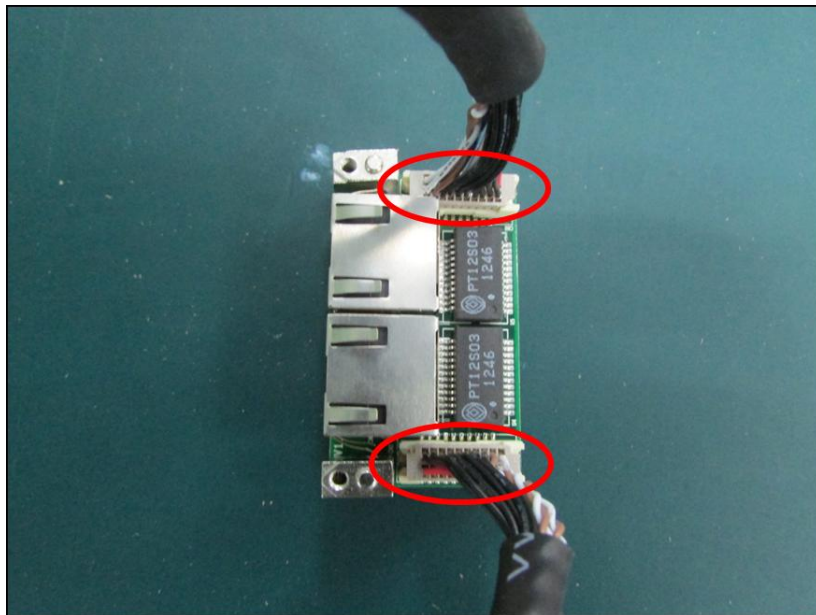


Screw type



Step 5 Connect the cable to the daughter board

Connect other side of the cable to the daughter board



Note

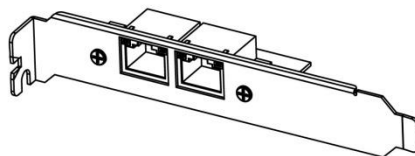
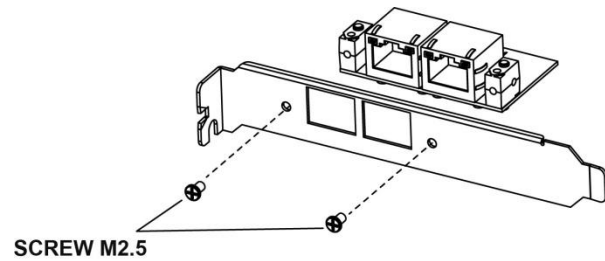
Both sides of the cable connectors are the same, it doesn't matter which side you connect

Connector Fixation

MECFIX – Versatile Mounting

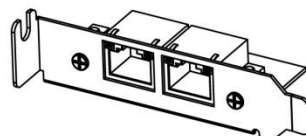
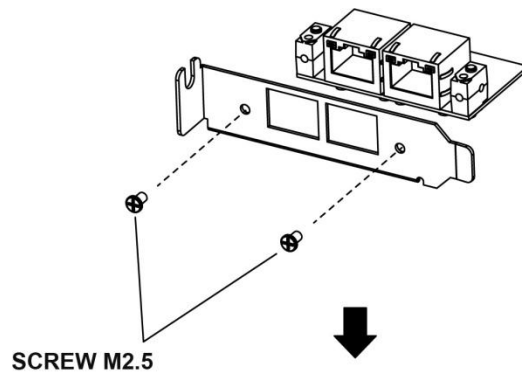
1. Standard PCI/PCIe Bracket

PCI / PCIe IO Bracket



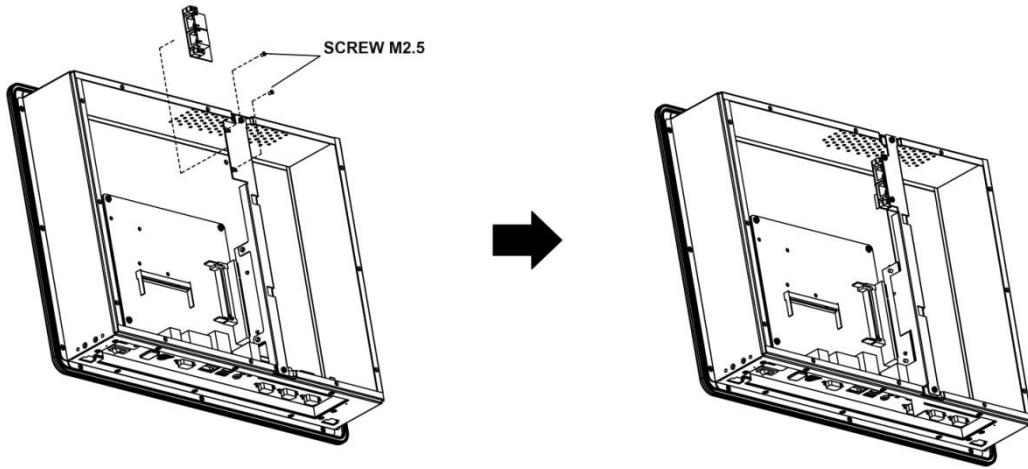
2. Low Profile PCI/PCIe Bracket

Low Profile IO Bracket

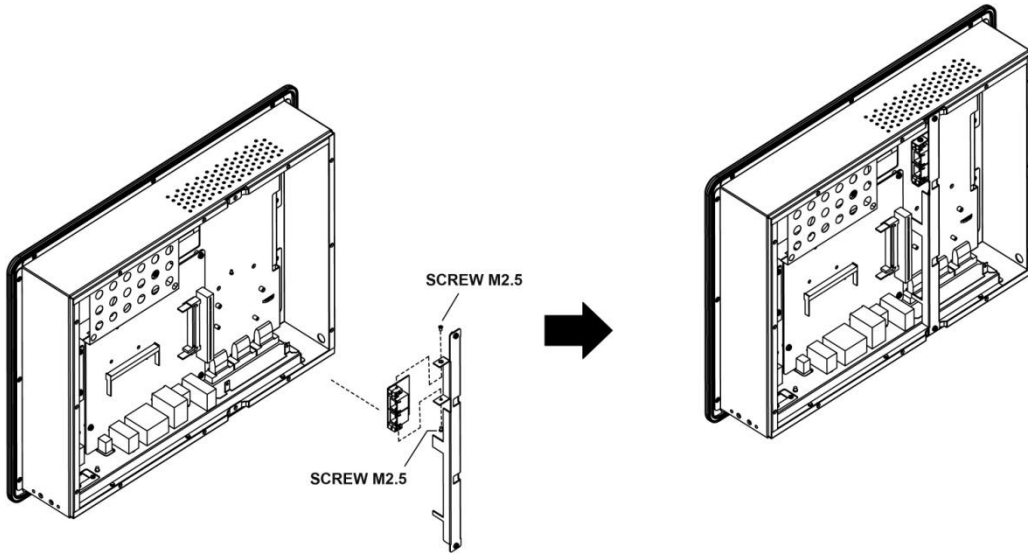


3. Internal Mounting

Upper Fixation – Industrial System

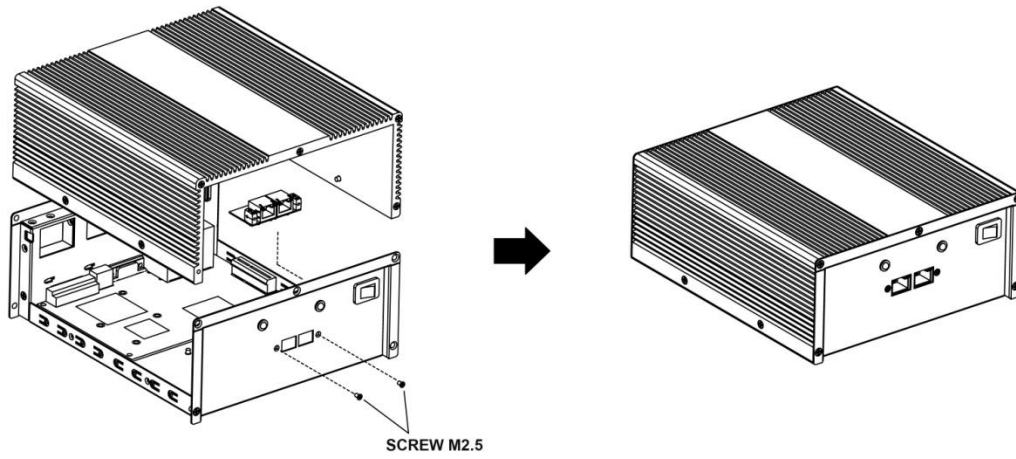


Right & Left Fixation – Industrial System

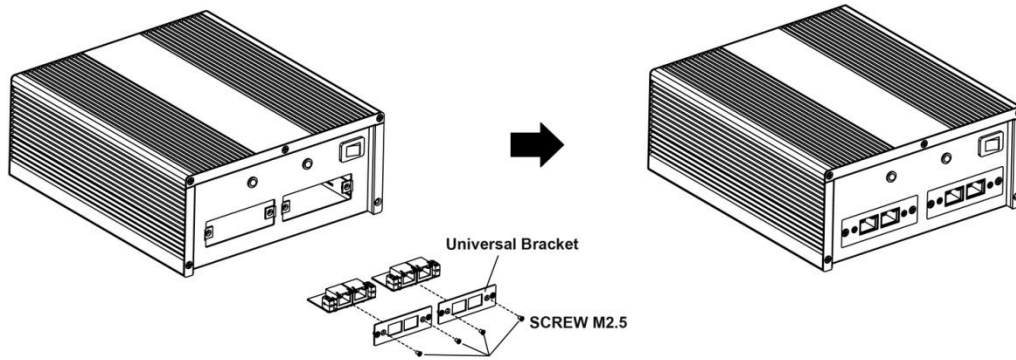


4. Customized Front / Rear Plate

Front / Rear I/O Plate



Universal Bracket

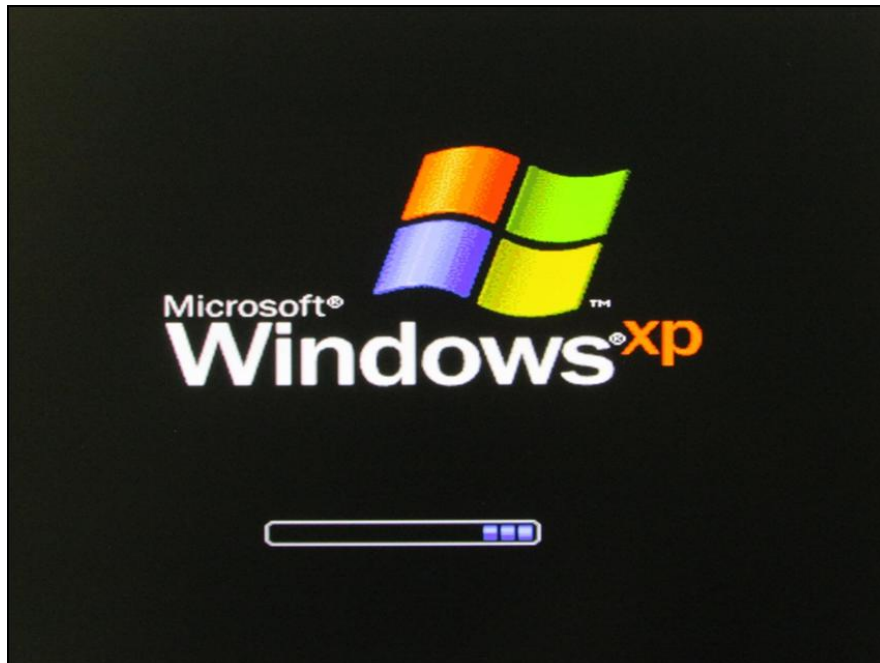


3

Software Installation

This chapter gives installation, configuration, and update/removal procedures for the driver for Win 2003, Win XP, Win Vista, Win 7, and Win 8.

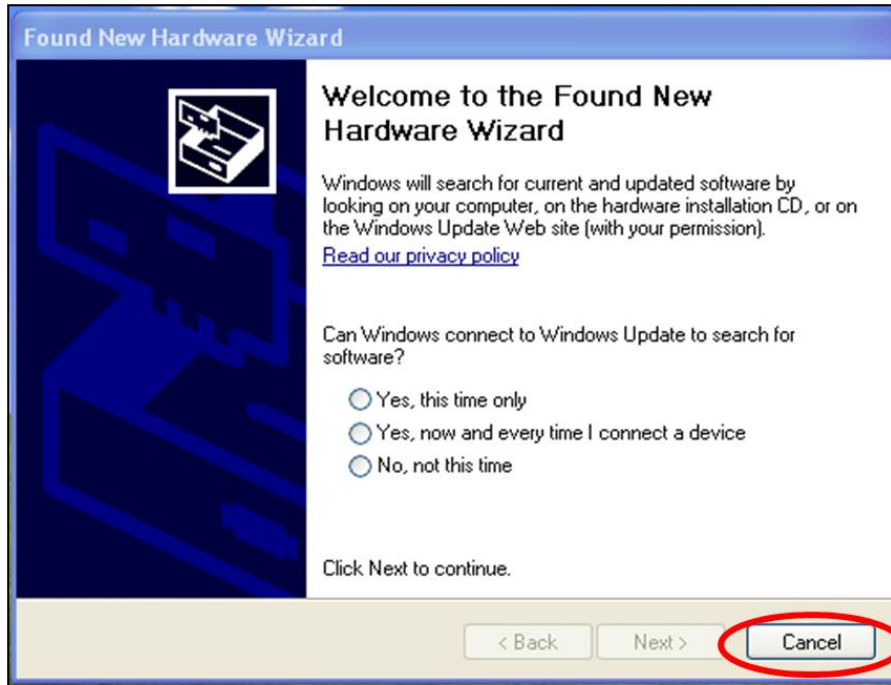
Step 1 Turn on PC and start Windows



Note XP OS as example

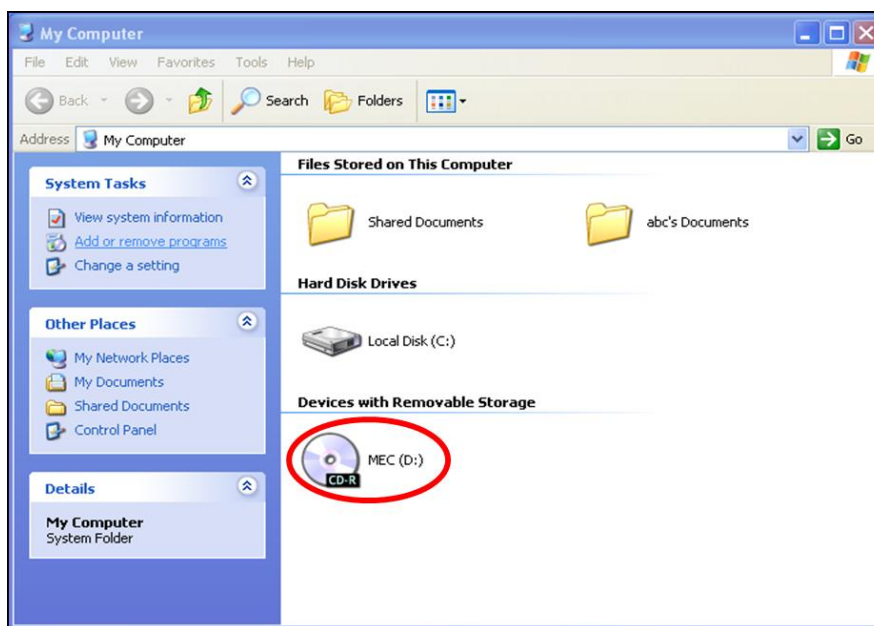
Step 2 Windows automatically detects the new device

1. If the card is installed properly, system would detect the new device and the hardware wizard would start automatically.
2. Click "Cancel" to disregard



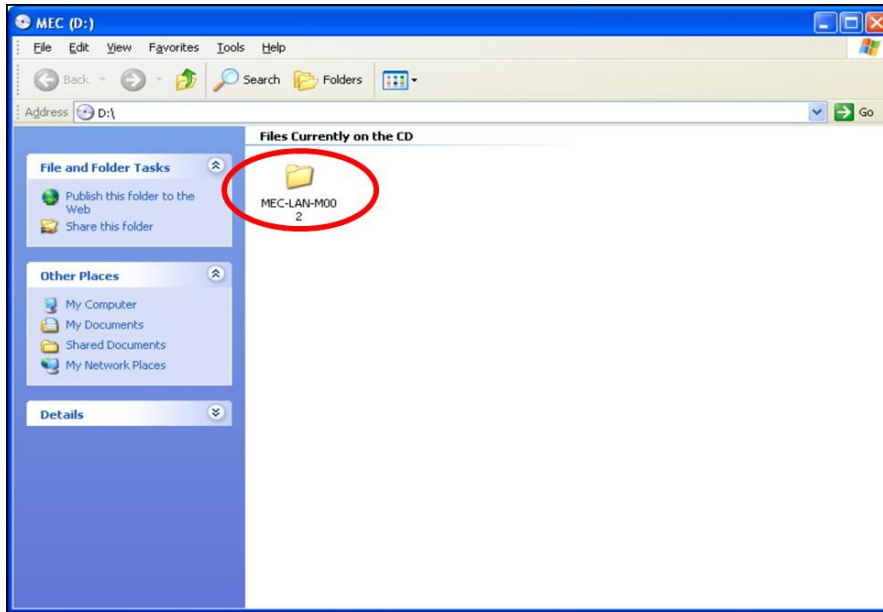
Step 3 Insert CD

Open the CD drive



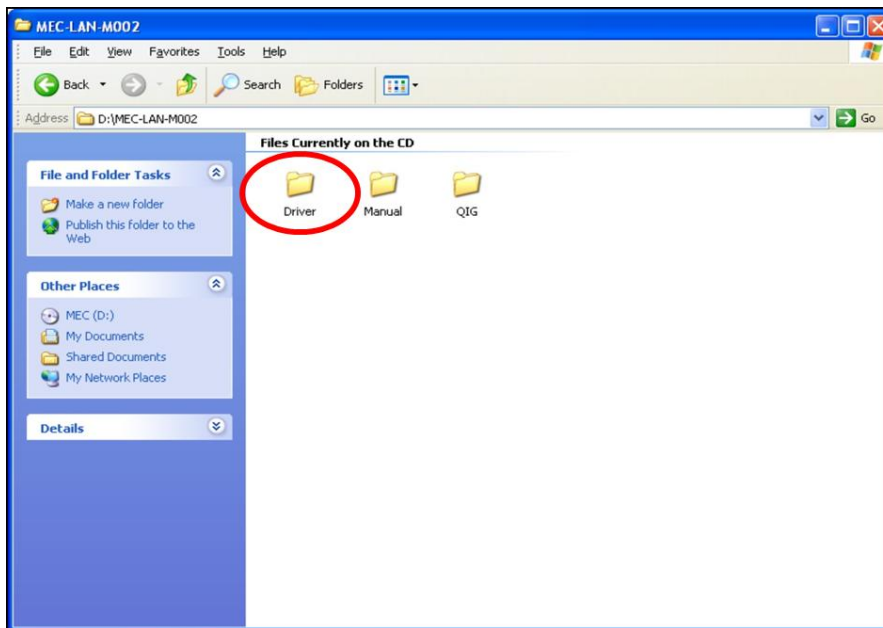
Step 4 Find the “MEC-LAN-M002” folder

Open the “MEC-LAN-M002” file folder



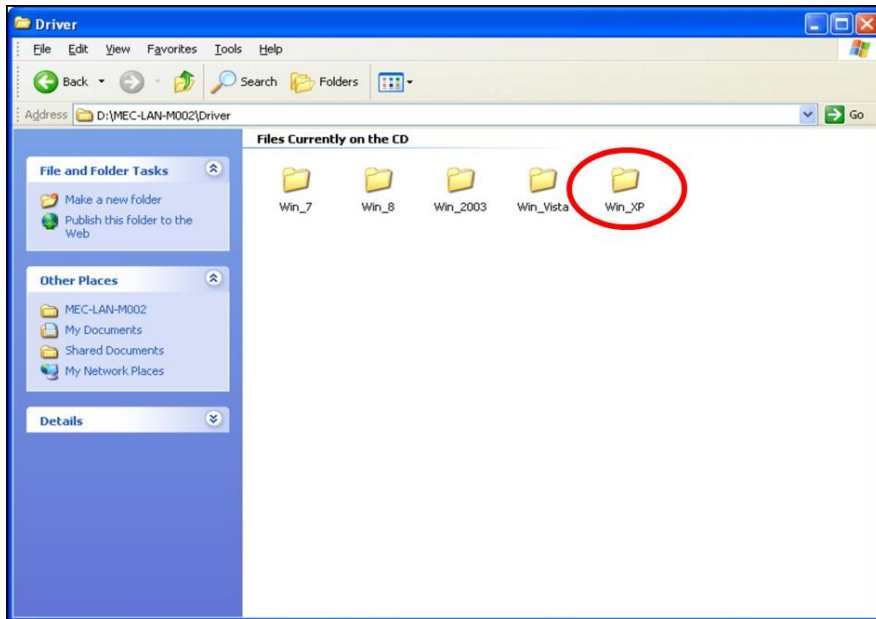
Step 5 Find the “Driver” folder

Open the “Driver” folder



Step 6 Find the appointed OS folder (Ex.: XP)

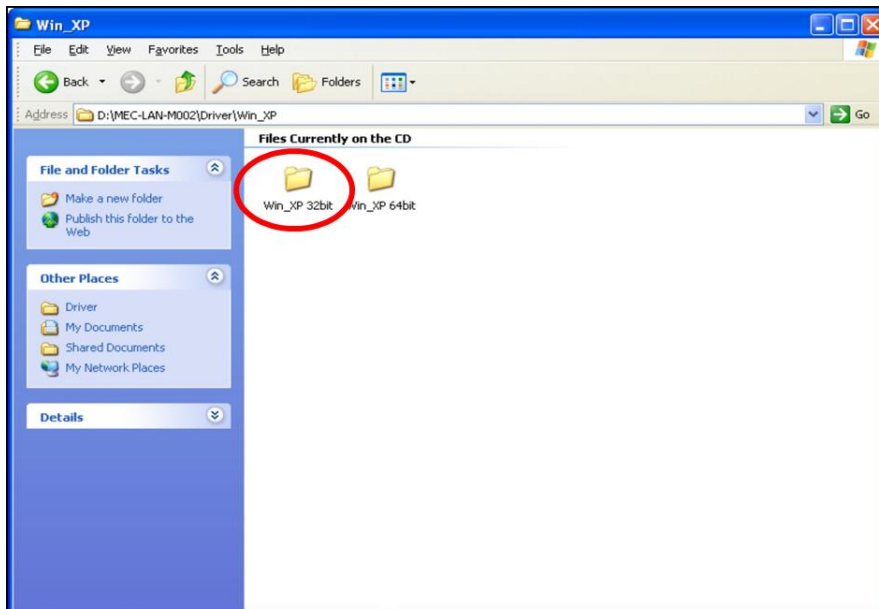
Open the appointed OS folder (We use XP as an example in the above picture)



Make sure you select the correct OS

Step 7 Find your OS version (Ex.: XP 32bit)

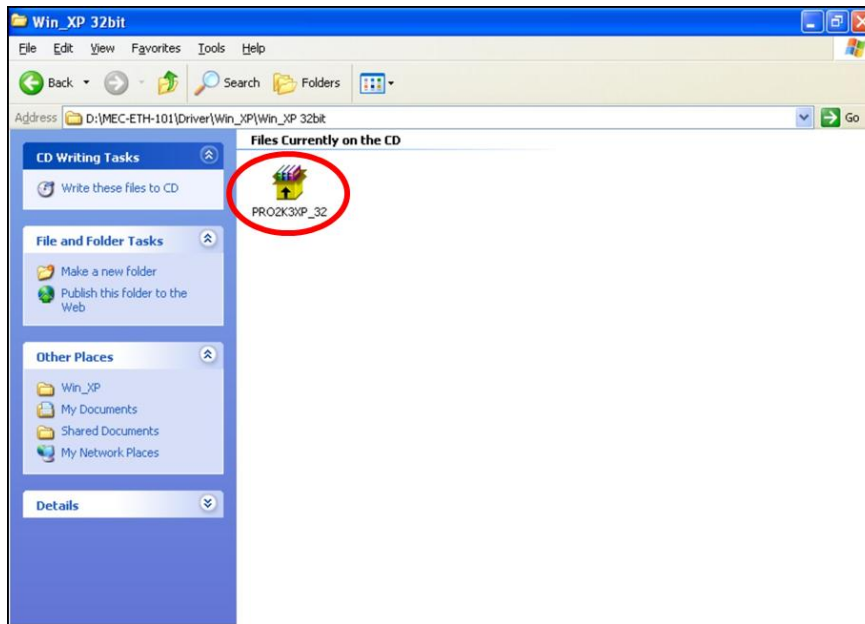
Select appoint OS folder (We use XP 32bit as an example in the above picture)



Make sure you select the correct version of the OS (Ex.: 32-bit or 64-bit)

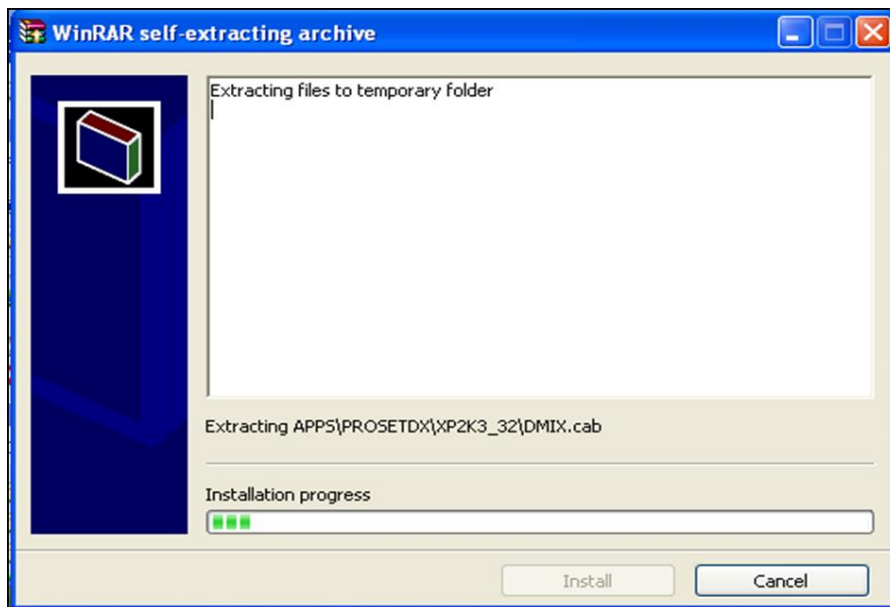
Step 8 Open and Run Driver file

1. Open the driver file
2. Systems starts auto run



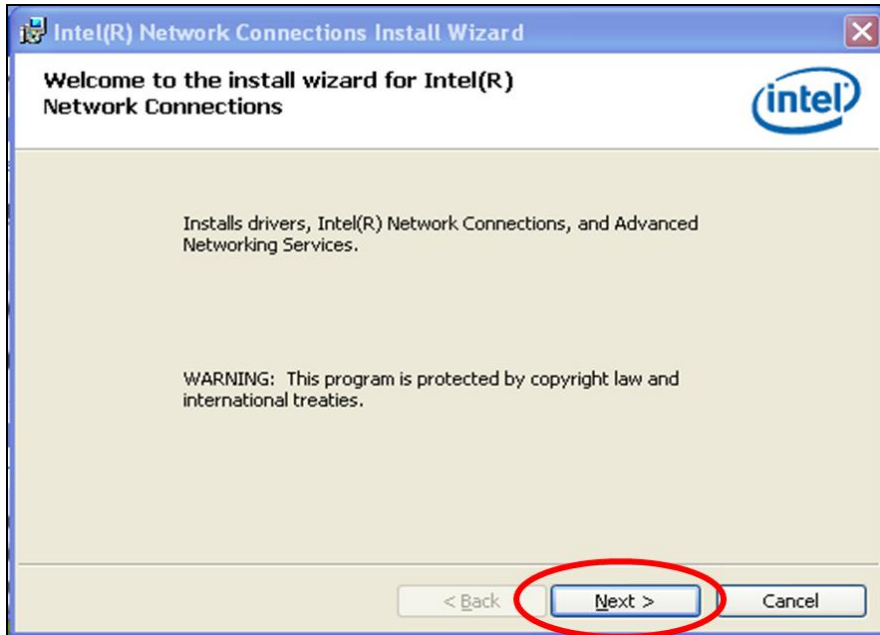
Step 9 System starts auto run

System extracts the file and starts installation automatically



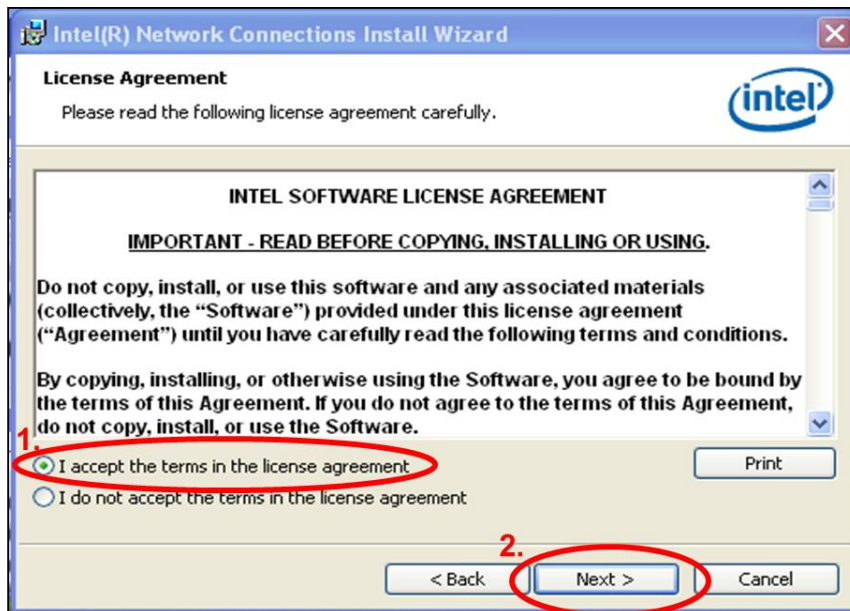
Step 10 Driver installation set up

Click "Next"



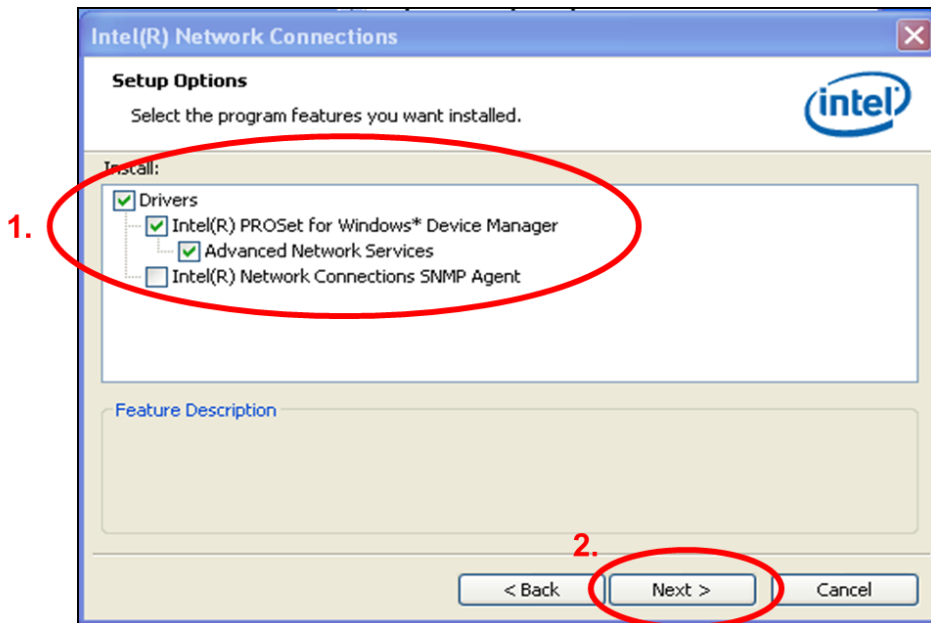
Step 11 License Agreement

1. Select "I accept the terms in the license agreement"
2. Click "Next"



Step 12 Driver setup options

1. Select the drivers
2. Click "Next"

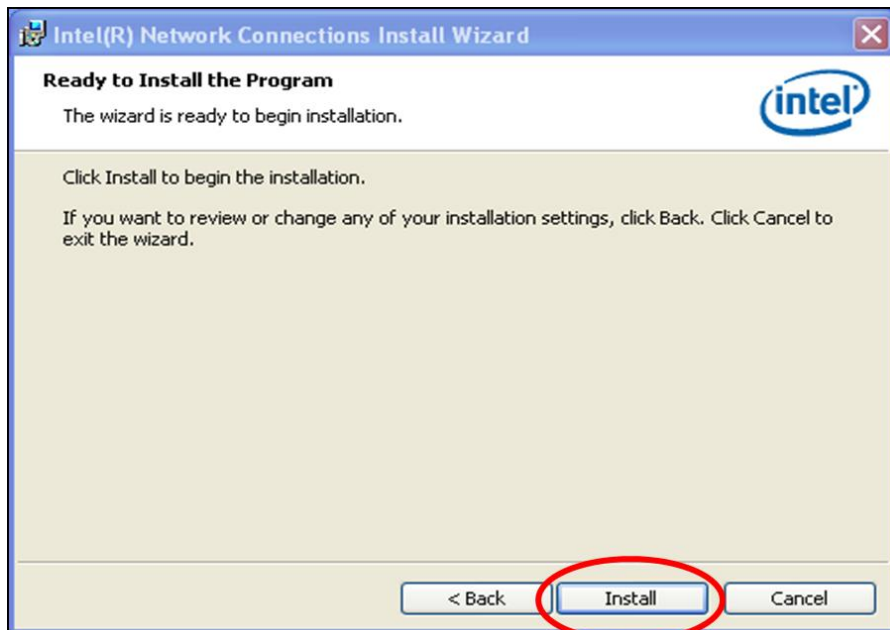


Note

If you are not sure which driver you want to install, keep the default setting and click "Next".

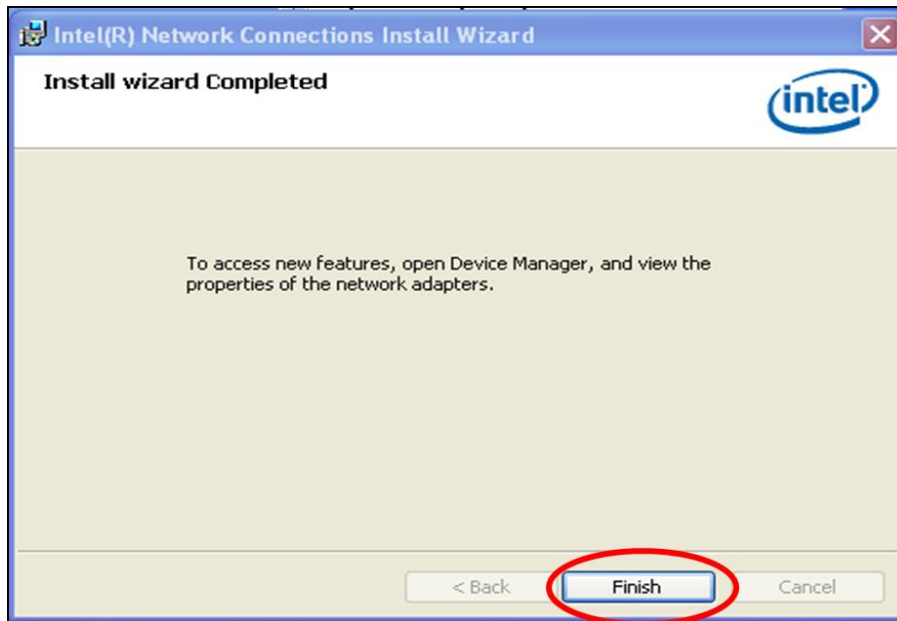
Step 13 Start driver installation

Click "Install"



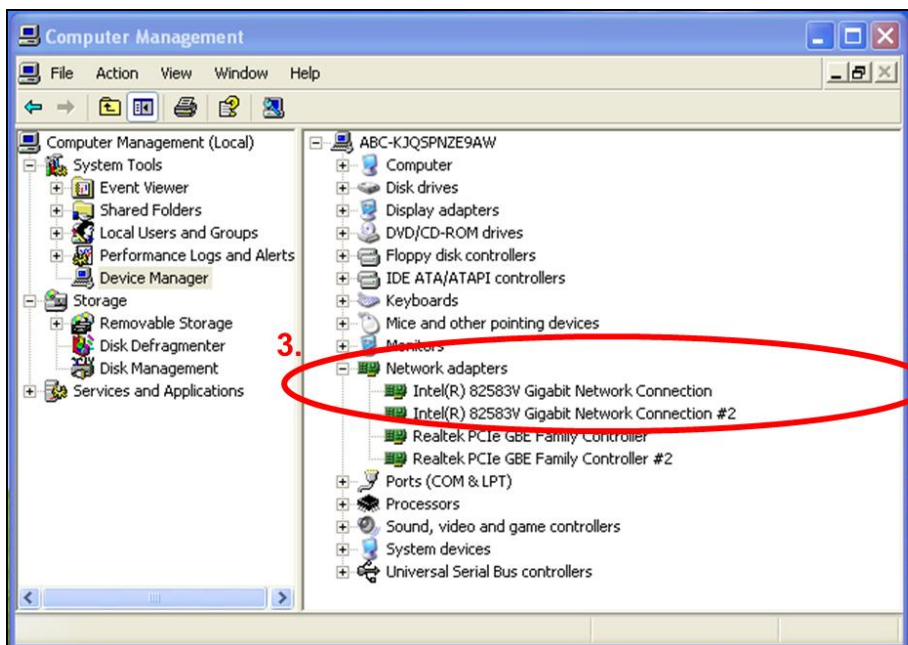
Step 14 Driver installation completed

Driver install is completed, click "Finish"



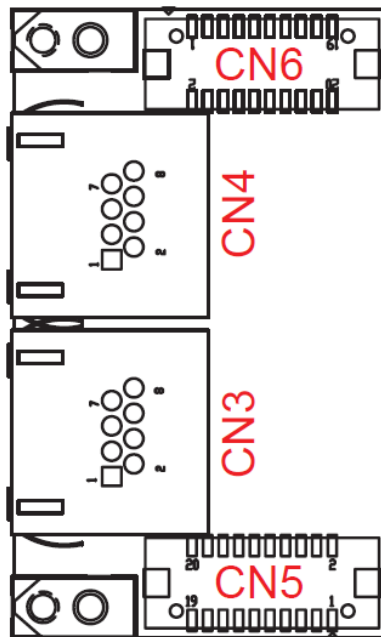
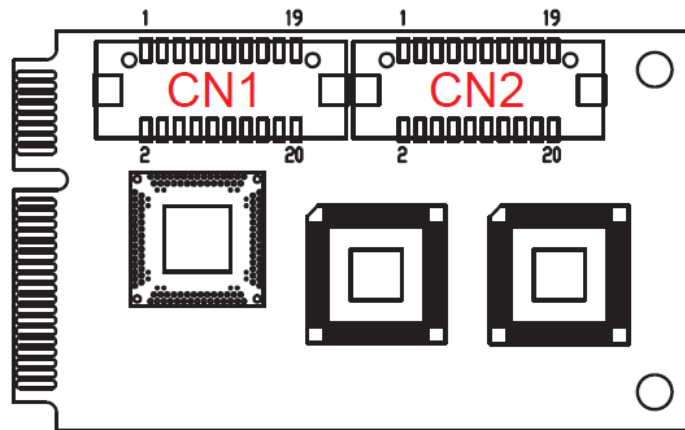
Step 15 Confirm if driver is installed

1. Start "Computer Management" program
2. Go to the route: *My Computer* → *Manage* → *Device Manager* → *Network adapters*
3. You would find driver name: 2x Intel® 82583V Gigabit Network Connection
4. Device is ready to be used



Appendix

□ Pin Assignments



Board Side Pin Assignments

Wire to Board Connector (CN1、CN5)

Pin	Description	Pin	Description
1	BI_DA1+	2	BI_DD1+
3	BI_DA1-	4	BI_DD1-
5	GND	6	GND
7	BI_DB1+	8	+1.8V
9	BI_DB1-	10	N/C
11	GND	12	N/C
13	BI_DC1+	14	Link100_1
15	BI_DC1-	16	Link1000_1
17	GND	18	Active_1
19	N/C	20	Link_1

Wire to Board Connector (CN2、CN6)

Pin	Description	Pin	Description
1	BI_DA2+	2	BI_DD2+
3	BI_DA2-	4	BI_DD2-
5	GND	6	GND
7	BI_DB2+	8	+1.8V
9	BI_DB2-	10	N/C
11	GND	12	N/C
13	BI_DC2+	14	Link100_2
15	BI_DC2-	16	Link1000_2
17	GND	18	Active_2
19	N/C	20	Link_2

Device Side Pin Assignments

Ethernet Connector (CN3、CN4)



CN3		CN4	
Pin	Description	Pin	Description
1	BI_DA1+	1	BI_DA2+
2	BI_DA1-	2	BI_DA2-
3	BI_DB1+	3	BI_DB2+
4	BI_DC1+	4	BI_DC2+
5	BI_DC1-	5	BI_DC2-
6	BI_DB1-	6	BI_DB2-
7	BI_DD1+	7	BI_DD2+
8	BI_DD1-	8	BI_DD2-

□ Technical Reference

MEC-LAN-M002 Specifications

General

PCI-Express Revision	PCI-Express Base Specification Rev 1.1
PCI-Express Electromechanical Revision	PCI-Express Mini Card Electromechanical Rev. 1.1

Hardware

Controllers	Intel 82583V x 2
Bus	Single-Lane (x1) PCI-Express with throughput up to 2.5Gbps

Interface (Connector)

Ethernet 10/100/1000	2 (RJ45)
----------------------	----------

Technology

Standards	IEEE 802.3 for 10BaseT, IEEE 802.3u for 100BaseT(X), IEEE 802.3ab for 1000BaseT(X), IEEE 802.3z for 1000BaseX
Flow Control	IEEE 802.3x flow control

Driver Support

Operating Systems	Win 2003, Win XP, Win Vista, Win 7, Win 8
-------------------	---

Power Requirement

Power Consumption	835mA@3.3V
-------------------	------------

Dimensions

Width x Length (mm)	30.00 x 50.95
---------------------	---------------

Environmental Limits

Operating Temperature	-20°C ~ 70°C
Storage Temperature	-20°C ~ 85°C
Humidity	5% ~ 95%

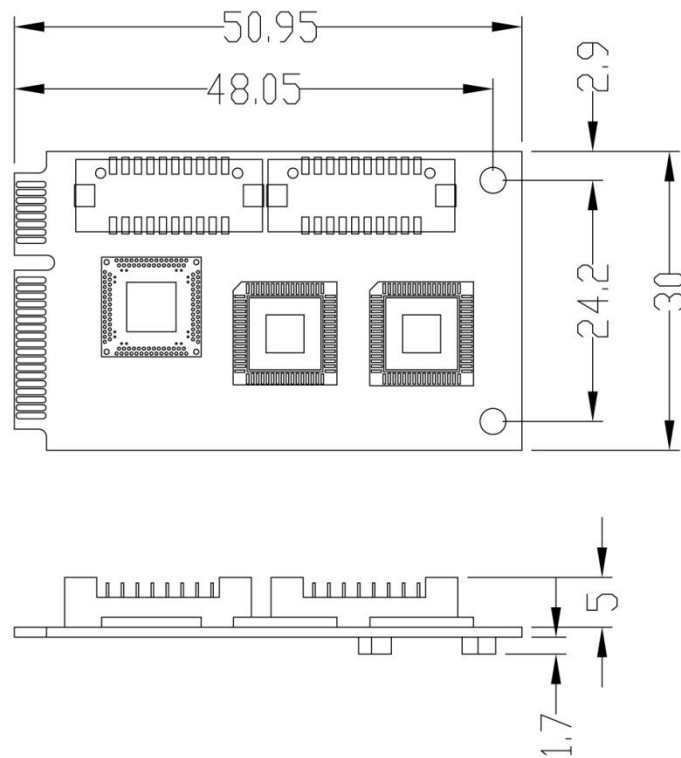
Regulatory Approvals

EMC	CE, FCC
EMI	EN 55022, EN61000-3-2, EN61000-3-3, FCC Part 15 Subpart B Class B
EMS	En 55024, IEC 61000-4-2, IEC 61000-4-3, IEC 61000-4-4, IEC 61000-4-5, IEC 61000-4-6, IEC 61000-4-8, IEC 61000-4-11

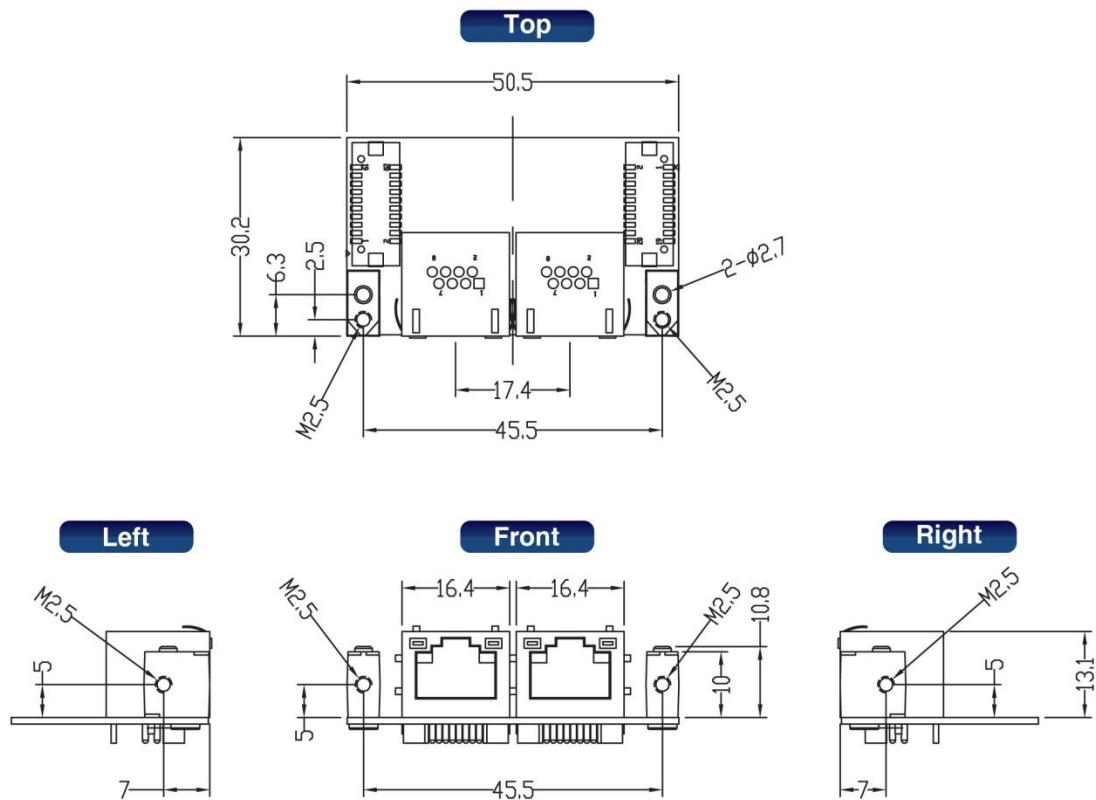
Reliability

MBTF	1,305,653 hr
Warranty	3 years

MEC-LAN-M002 Dimensions



MEC-LAN-M002 Daughter Board Dimensions



☐ **Product Warranty Statement**

Cervoz products are warranted to be free from manufacturing defects in materials and workmanship starting from the date of delivery. The actual warranty period of Cervoz products vary with product categories. Complete details can be found here:

<http://www.cervoz.com/support/warranty.php>

During the warranty period, we shall, at our option, either repair or replace any product that proves to be defective under normal operation.

Defects, malfunctions, or failures of the warranted product caused by damage resulting from natural disasters (such as by lightning, flood, earthquake, etc.), environmental and atmospheric disturbances, other external forces such as power line disturbances, plugging the board in under power, or incorrect cabling, and damage caused by misuse, abuse, and unauthorized alteration or repair, and the product in question is either software, or an expendable item (such as a fuse, battery, etc.), are not warranted.

RMA Instruction

- Customers must fill in Cervoz Return Merchandise Authorization (RMA) Request Form and obtain a RMA number prior to returning a defective product to Cervoz for service.
- Customers must collect all the information about the problems encountered and note anything abnormal and describe the problems on the "Cervoz Service Form" for the RMA number application process.
- Charges may be incurred for certain repairs. Cervoz will charge for repairs to products whose warranty period has expired. Cervoz will also charge for repairs to products if the damage resulted from acts of God, environmental or atmospheric disturbances, or other external forces through misuse, abuse, or unauthorized alteration or repair. If charges will be incurred for a repair, Cervoz lists all charges, and will wait for customer's approval before performing the repair.
- Customers agree to insure the product or assume the risk of loss or damage during transit, to prepay shipping charges, and to use the original shipping container or equivalent.
- Customers can send back faulty products with or without accessories (manuals, cable, etc.) and any components from the card. If the components were suspected as part of the problems, please note clearly. Otherwise, Cervoz is not responsible for the devices/parts.
- Repaired items will be shipped along with a "Repair Report" detailing the findings and actions taken.

Limitation of Liability

Cervoz' liability arising out of the manufacture, sale, or supplying of the product and its use, whether based on warranty, contract, negligence, product liability, or otherwise, shall not exceed the original selling price of the product. The remedies provided herein are the customer's sole and exclusive remedies. In no event shall Cervoz be liable for direct, indirect, special or consequential damages whether based on contract of any other legal theory.